

# Rare Earth Magnet N Series Switch Sets

WWW.GRISK.COM



- ◆ Rare Earth Magnets paired with GRI's press to fit contacts
- ◆ Solves problem installations
- ◆ Time saving and efficient
- ◆ Nickel plated to protect from chipping and corrosion
- ◆ Use MM-600 with a standard gap switch to attain wide gap

GRI's "Mighty Mag" contacts will assist in resolving the installer's problem of drilling into the new thinner vinyl windows. These rare earth magnets are less than 1/8" high and install fast and easily without worry about damage to the window itself. (Please see the Mighty Mag page in the accessories section of GRI's full line catalog for dimensions).

GRI's Mighty Magnets make use of a rare earth alloy which allows the size of the magnet to be significantly reduced while still retaining or improving the gap involved. These rare earth magnets can be mounted with the stainless steel mounting screws provided (MM-400 and MM-600) and/or double stick tape included in the bag, or may be glued into place.

*GRI suggests using a silicone or clear nail polish sealant on the surface of installed rare earth magnets to prevent corrosion.*



N2120-12



N2020-TWG



N20RS-12

## Part Numbers

N120T-12  
N120T-12WG  
N150-12  
N150-12WG  
N2020-12  
N2020-12WG

N2020-T  
N2020-TWG  
N20RS-12  
N20RS-12WG  
N20RS-T  
N20RS-TWG

N2120-12  
N2120-12WG  
N4473  
N4473WG  
N50R-12  
N50R-12WG

N50RF-12  
N50RF-12WG  
N50RS-12  
N50RS-12WG  
N5065

Other possible combinations including Open Loop and S.P.D.T. available or as Switch Only and Magnet Only.

**WARRANTY:** Lifetime warranty against workmanship, material and factory defects.

GEORGE RISK INDUSTRIES, INC.  
G.R.I. PLAZA  
KIMBALL, NE 69145  
WWW.GRISK.COM



Made in U.S.A.

C\_RS 4\_rare earth mag N series

TOLL-FREE 1-800-445-5218  
TOLL-FREE 1-800-523-1227  
(308) 235-4645  
FAX (308) 235-3561  
E-MAIL: sales@grisk.com

# Rare Earth Magnet N Series Switch Sets



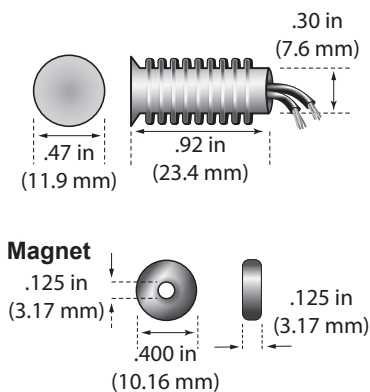
WWW.GRISK.COM

## PAIR SWITCH WITH MAGNET TO GET THE FOLLOWING GAPS:

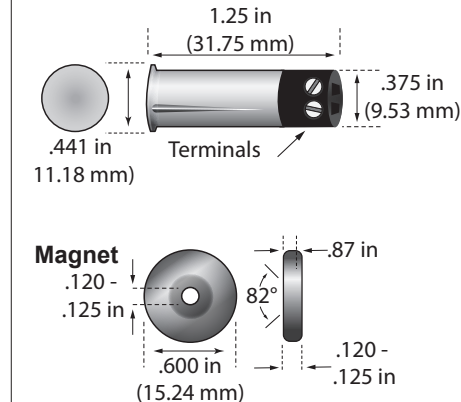
Switch	Description	MM-25 MMR-25	MM-375	MM-10	MM-400	MM-600	MMF-875
S120T-12	3/4" Press Fit/Leads	3/8"+	1"+	Up to 1"	Up to 3/4"	1"+	3/4"+
S150-12	1/2" Press Fit/Leads	1/2"+	1 1/2"+	Up to 1"	3/4"+	1 1/2"+	1"+
S2020-12	3/8" Press Fit/Leads	Up to 1/2"	1"+	Up to 1"	1"+	1"+	1"
S2020-T	3/8" Press Fit/Terminals	3/8"+	1"+	Up to 1"	Up to 3/4"	1"+	1/2"+
S20RS-12	3/8" Short Press Fit/Leads	Up to 3/8"	1"+	3/4"+	Up to 3/4"	Up to 1"	3/4"
S20RS-T	3/8" Short Press Fit/Terminals	3/8"+	1"+	3/4"+	Up to 3/4"	Up to 1"	3/4"
S2120-12	3/8" Ribbed Press Fit/Leads	5/8"+	1"+	Up to 1"	Up to 3/4"	1"+	3/4"+
S4473	3/4" Press Fit/Terminals	Up to 1/2"	1 1/4"+	Up to 1"	Up to 3/4"	1"+	3/4"+
S50R-12	1/4" Press Fit/Leads	Up to 1/2"	Up to 1 1/2"	1"+	3/4"+	Up to 1 1/4"	3/4"+
S50RF-12	1/4" Press Fit/Flanged/Leads	Up to 1/2"	Up to 1 1/2"	1"+	Up to 3/4"	Up to 1 1/4"	1"
S50RS-12	1/4" Short Press Fit/Leads	Up to 3/8"	1"+	3/4"+	Up to 1/2"	Up to 1 1/4"	3/4"
S5065	3/8" Press Fit/Leads	1/2"+	1"+	1"+	Up to 1"	Up to 1 1/4"	1/2"+

*Magnet orientation will affect operation of switch. Please confirm operation prior to installation.*

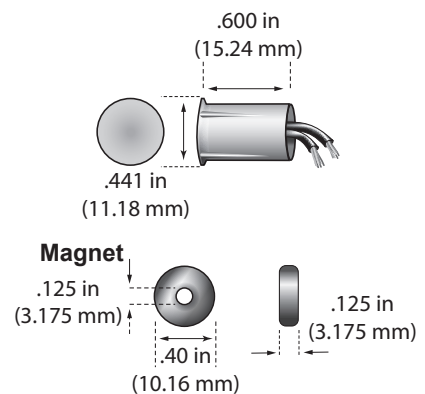
### N2120-12



### N2020-TWG



### N20RS-12



**WARRANTY:** Lifetime warranty against workmanship, material and factory defects.

GEORGE RISK INDUSTRIES, INC.  
G.R.I. PLAZA  
KIMBALL, NE 69145  
WWW.GRISK.COM



TOLL-FREE 1-800-445-5218  
TOLL-FREE 1-800-523-1227  
(308) 235-4645  
FAX (308) 235-3561  
E-MAIL: sales@grisk.com